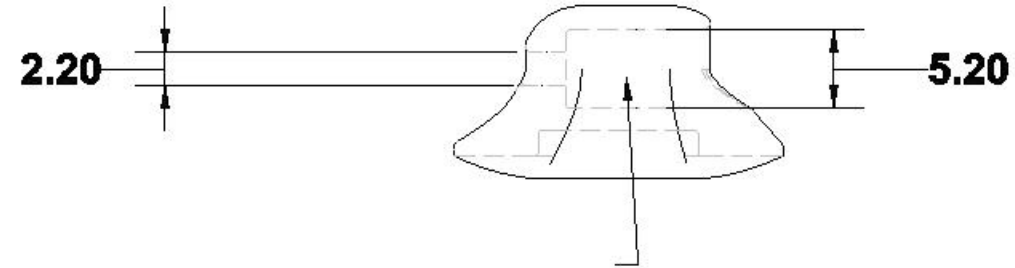
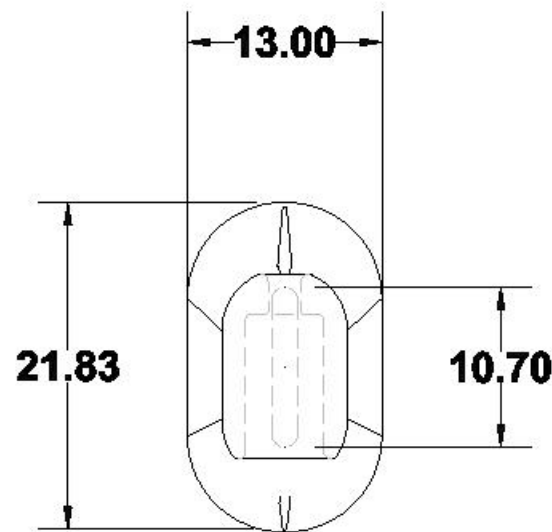


available to fit  
28.6mm and 31.8mm tubes



Fit standard brake cable casing  
with out caps



"Limpets"  
available in normal or stainless steel  
and  
28.6 and 31.8mm versions

Silver braze insert groove



Limpet top tube brake cable stop

Drawn by Darrell L McCulloch Date 17/2/2012