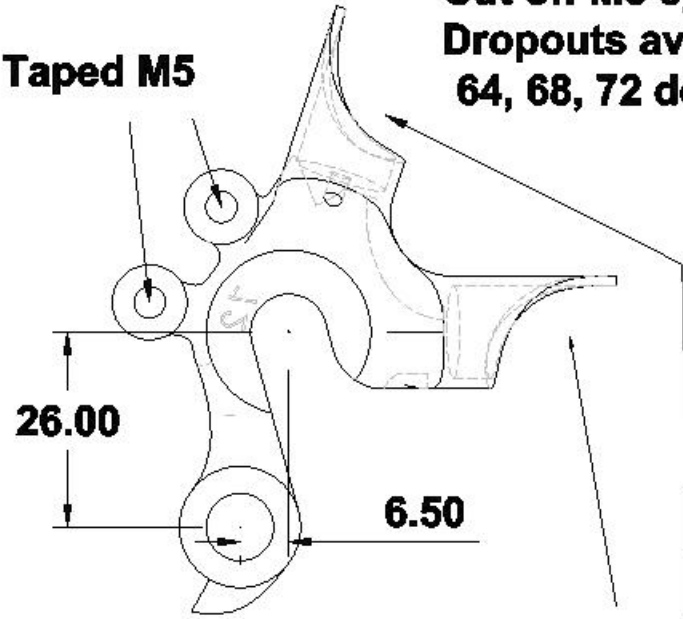
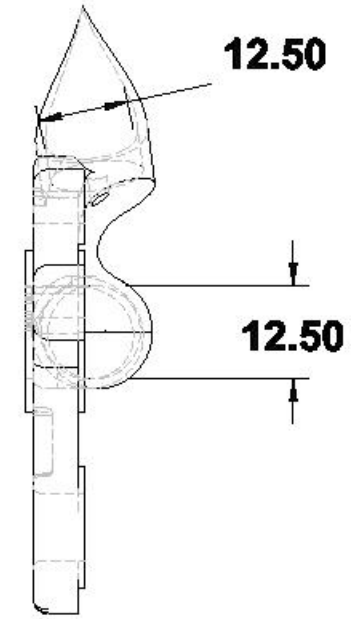


Taped M5

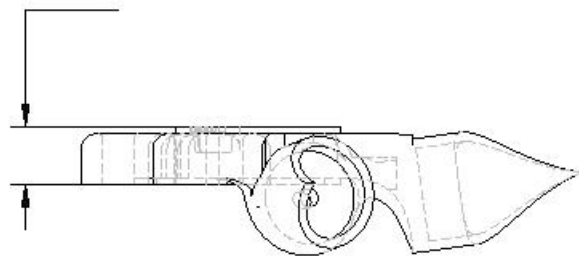


**Cut off M5 eyelets if not required
Dropouts available in
64, 68, 72 degree SS/CS angles**



- 1. Mechanically clean with abrasive drums in die grinder**
- 2. Trim clean chain stay and seat stay tip to 12.50 mm plus until light fit**
- 3. Flux and fit and rotate to correct alignment**
- 4. Braze, use silver with stainless steel**

7.75



**Dropouts are available in normal and stainless steel
Dropouts are available with Plain wheel bite facets
or with LLEWELLYN text**



LLEWELLYN CUSTOM BICYCLES

LRD 64/68/72 Dropout data sheet

Drawn by Darrell L McCulloch

Date 17/2/2012